

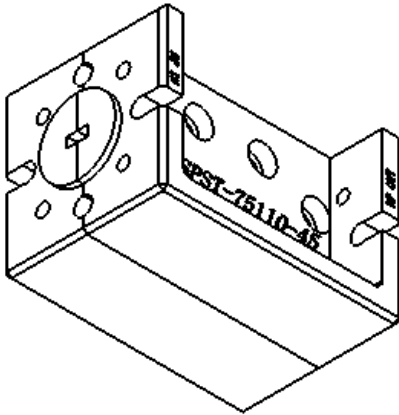
60-90GHz SPST and Attenuator

Description:

AT-SPST-6090G2 is a MMIC Based SPST (Single pole Single throw) switch covering 60-90GHz. It also can be used as an voltage controlled attenuator. This module offers a low insertion loss of -6 dB with typical isolation of -40dBc.

It also has good return loss from 60-90GHz band in both ON and OFF state. The input and output connectors are WR-12 Waveguide. Other connectors can be provided according to request.

More information, visit www.atmicrowave.com



Feature

- ✓ Frequency: 60-90GHz
- ✓ Low insertion Loss, -6 dB
- ✓ High isolation: -40dBc
- ✓ Very fast speed

Application

- ✓ Test Equipment
- ✓ ROF (RF Over Fiber)
- ✓ Radar System
- ✓ Telecom Communication

Electronical Specifications:

| Parameter | Min | Typical | Max |
|-------------------|-------|------------------|------|
| Frequency(Note1) | | 60-90GHz | |
| Insertion Loss | | -6dB | -9dB |
| Isolation | -35dB | -40 dB | |
| Control Voltage | | -1.2 and 0 V | |
| Power Consumption | | 0mW | |
| RF Port | | WR-12 | |
| Bias Port | | Feed Through Pin | |
| Dimension | | 30X20X20mm | |



Absolute Maximum Ratings Table

| Parameter | Value |
|-----------------------|--------------|
| Control Voltage | -2 to 0.7V |
| RF Input Power | +15dBm |
| Operating Temperature | 0 to +50C |
| Storage Temperature | -65 to +150C |

Truth Table

| VT | RFC to RF1 |
|-------|------------|
| -1.2V | ON |
| 0 | OFF |

Dimension (mm)

Following dimension is from AT-SPDT-75110-40, just for reference.
Contact with us for dimension when place order.

